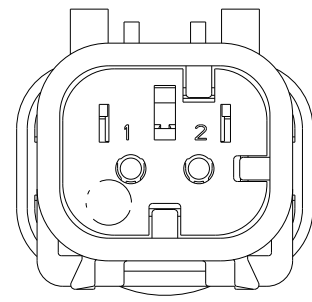
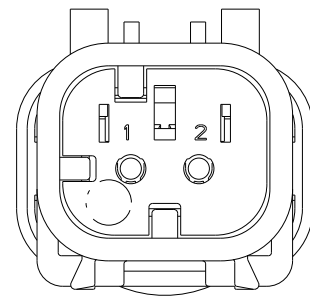


THIS DRAWING IS UNPUBLISHED. RELEASED FOR PUBLICATION
 © COPYRIGHT 20 BY - ALL RIGHTS RESERVED.

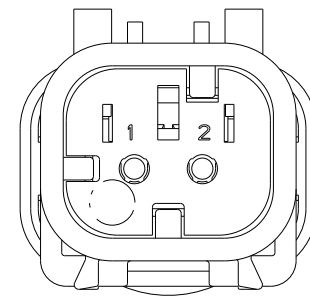
REVISIONS				
P	LTR	DESCRIPTION	DATE	APVD
E		REVISED PER ECO-13-019067	05DEC2013	DR RB
EI		REVISED PER PCN-23-190965	31OCT2023	AP CB



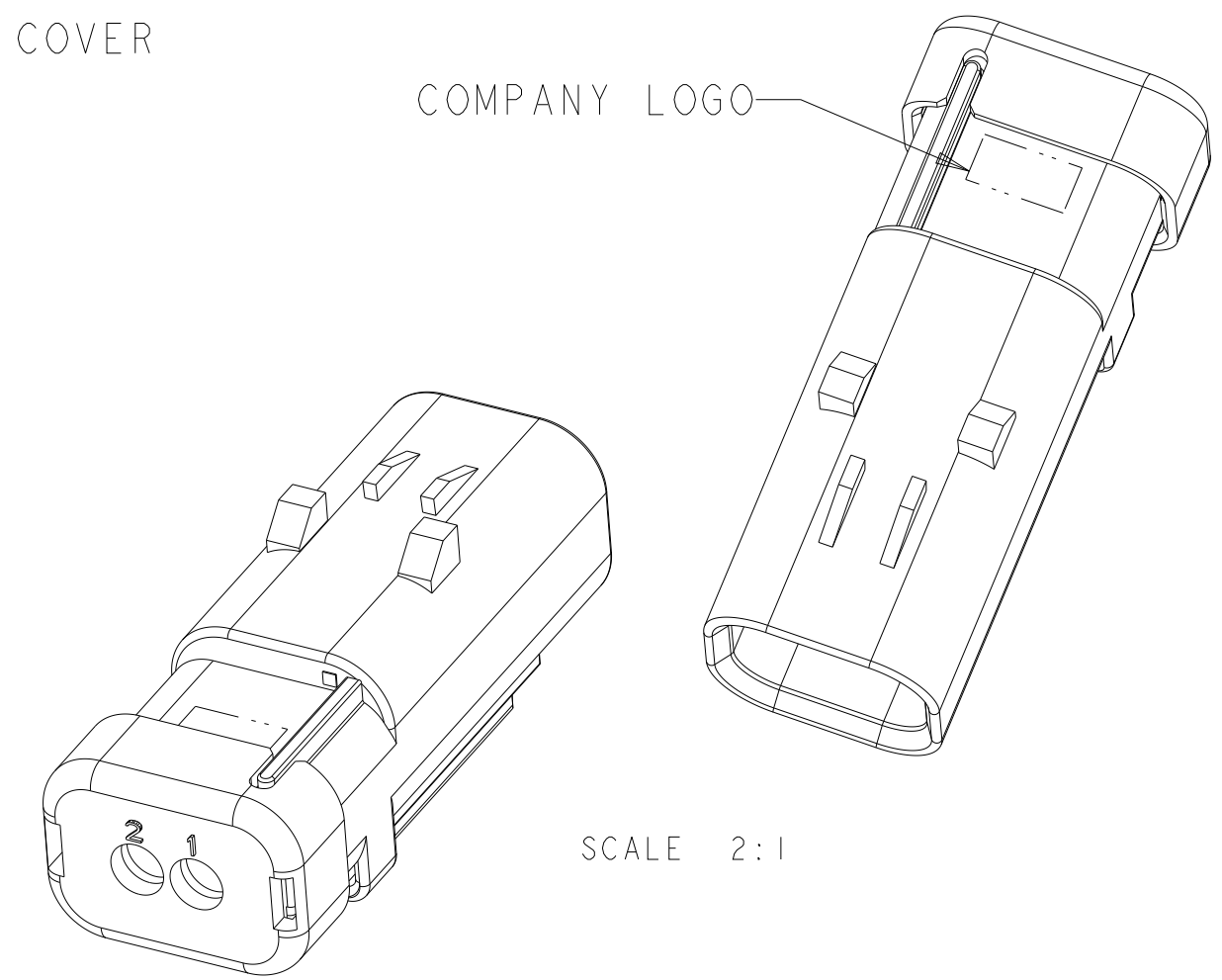
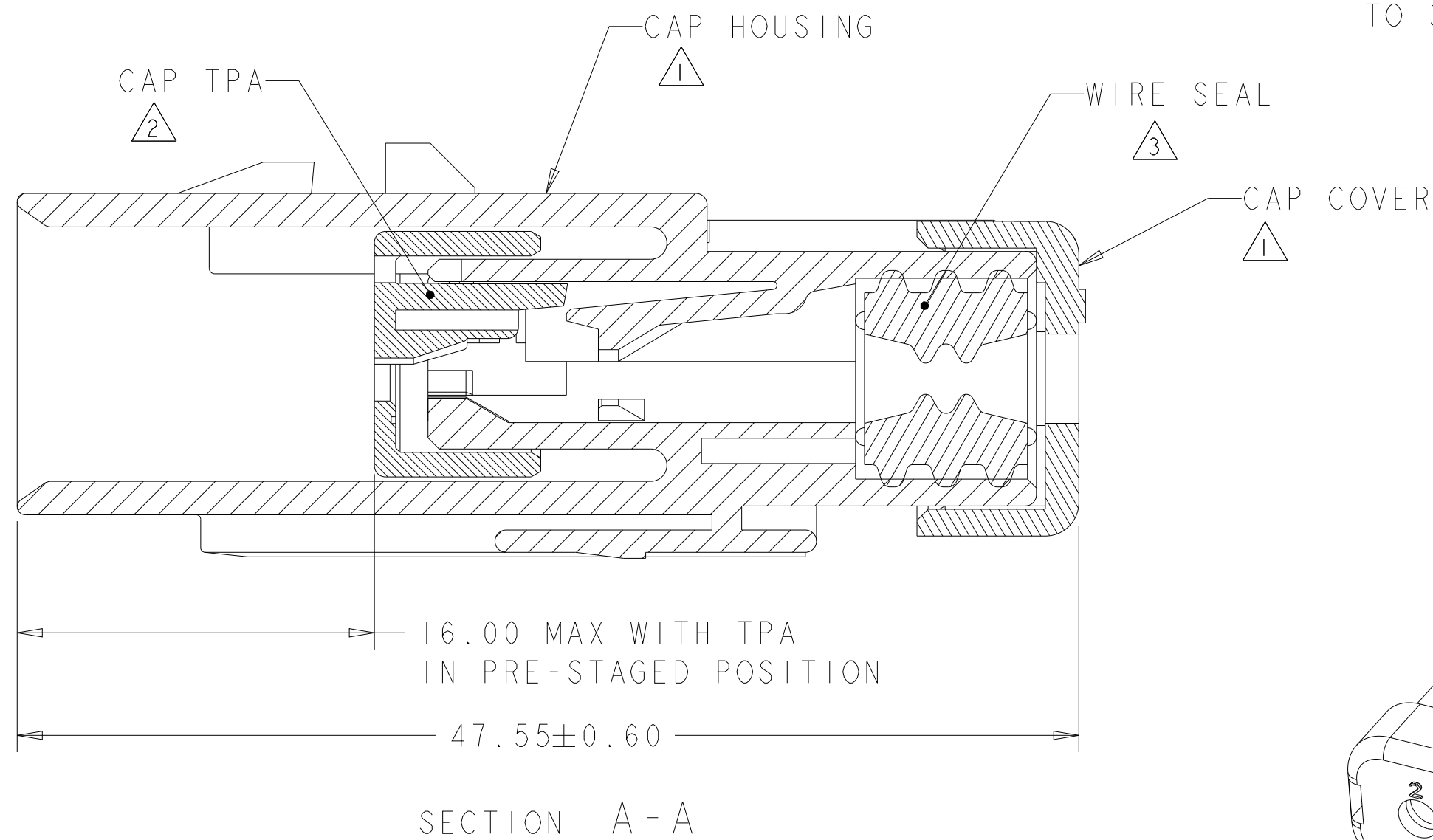
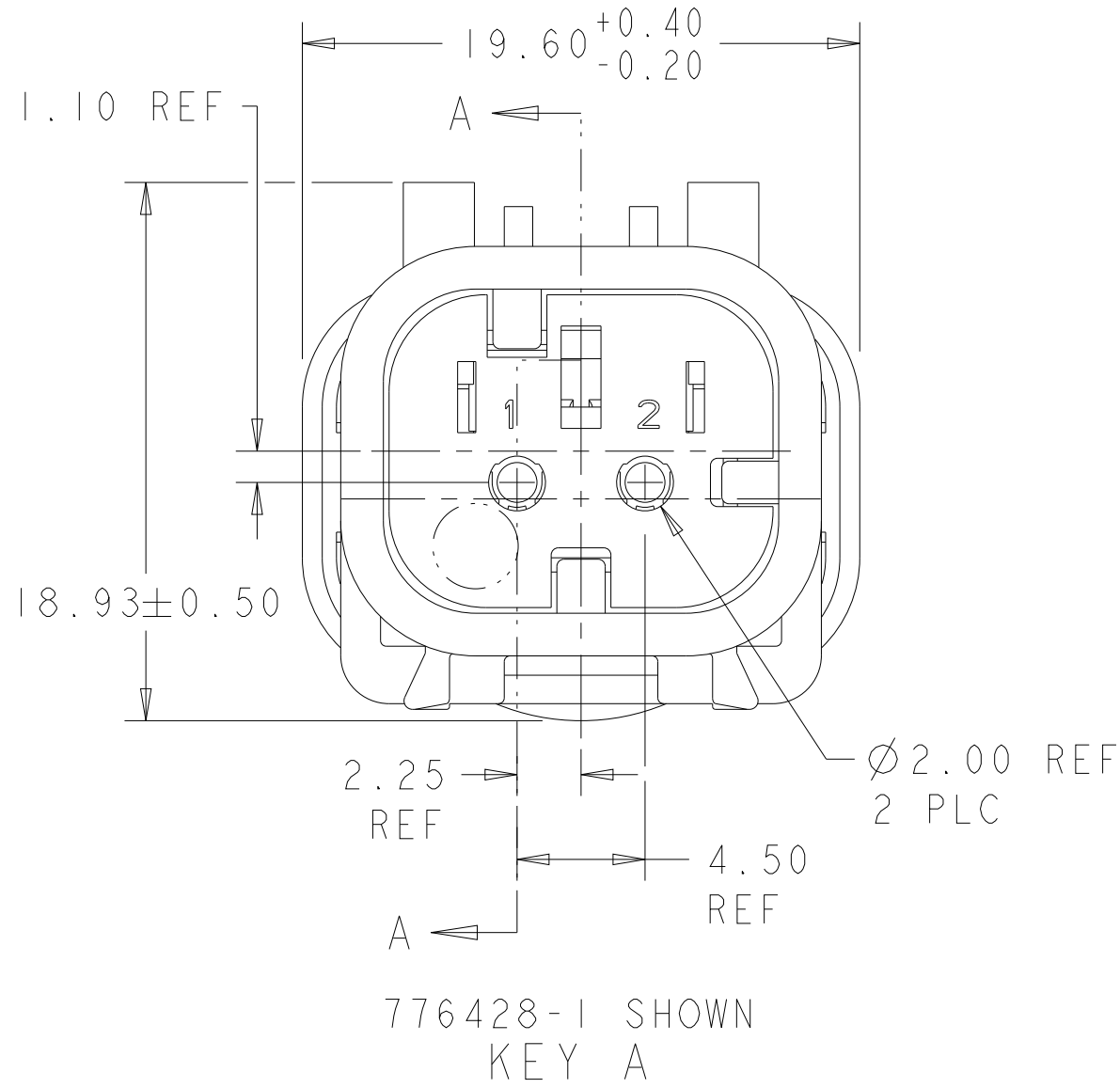
776428-2
SCALE 2:1
KEY B



776428-3
SCALE 2:1
KEY C



776428-4
SCALE 2:1
KEY D

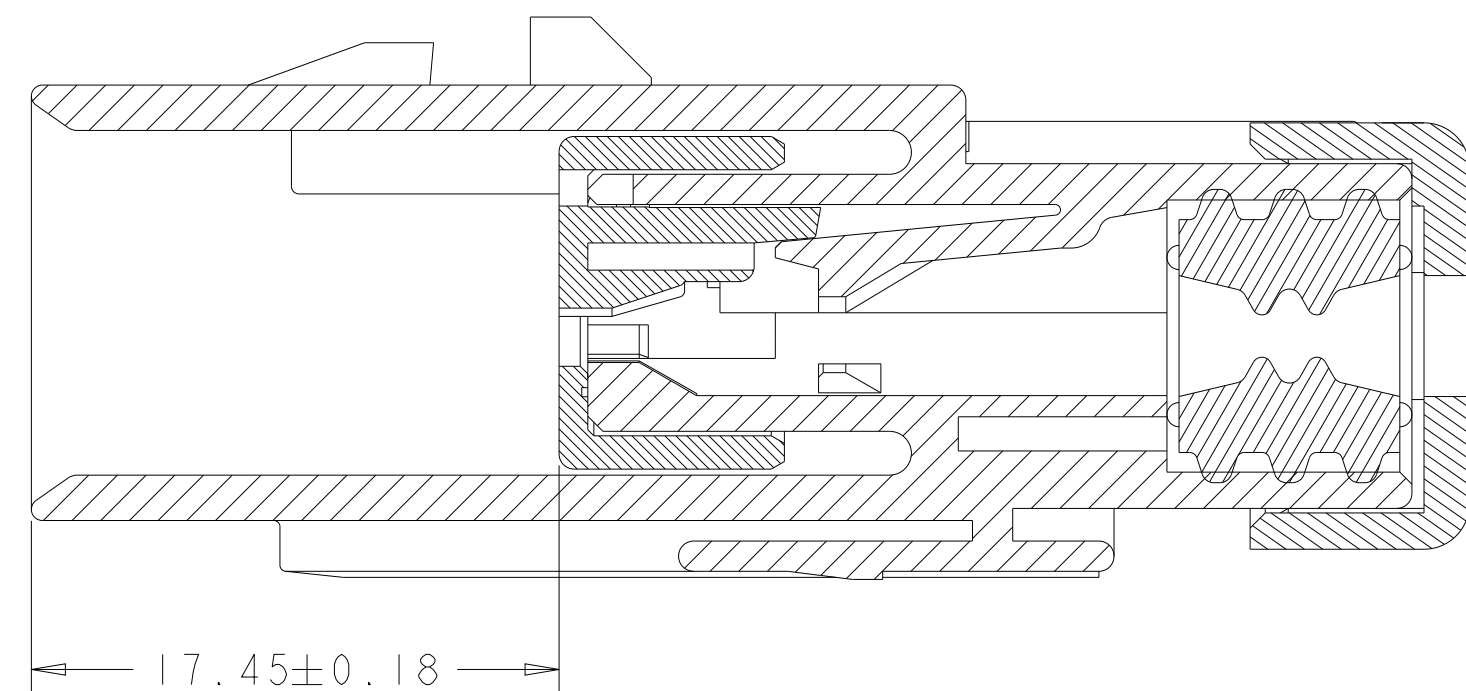


1 MATERIAL: 15% GLASS FILLED THERMOPLASTIC
COLOR: BLACK

2 MATERIAL: 15% GLASS FILLED THERMOPLASTIC
COLOR: (SEE TABLE)

3 MATERIAL: SILICONE
COLOR: MARINE BLUE

4. RECOMMENDED WIRE DIAMETER RANGE IS 2.18 TO 3.67mm.



GREEN	776428-4
YELLOW	776428-3
GRAY	776428-2
RED	776428-1
TPA COLOR	PART NUMBER

THIS DRAWING IS A CONTROLLED DOCUMENT.		DWN Y. PETERSON 22FEB2000	TE Connectivity	
DIMENSIONS: mm		CHK R. GREINER 11DEC2001	NAME CAP ASSEMBLY, 2 POSITION, SINGLE ROW, AMPSEAL 16	
TOLERANCES UNLESS OTHERWISE SPECIFIED: 0 PLC ± 1 PLC ± 2 PLC ± 3 PLC ± 4 PLC ± ANGLES ± FINISH		APVD M. TRULL 11DEC2001	PRODUCT SPEC 108-2184	RESTRICTED TO
MATERIAL		APPLICATION SPEC 114-13065	SIZE A2	SCALE 4:1
		WEIGHT 9	CAGE CODE 00779	SHEET OF
		Customer Drawing	DRAWING NO C-776428	REV E1