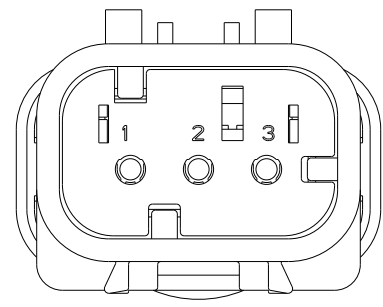
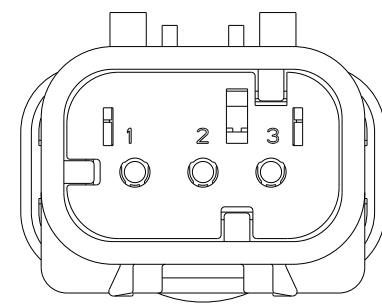


THIS DRAWING IS UNPUBLISHED. RELEASED FOR PUBLICATION
 © COPYRIGHT 20 BY - ALL RIGHTS RESERVED.

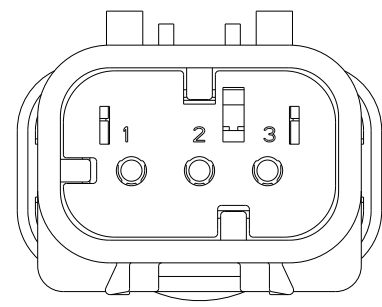
REVISIONS					
P	LTR	DESCRIPTION	DATE	DWN	APVD
E		REVISED PER ECO-13-019095	05DEC2013	DR	RB
EI		REVISED PER PCN-23-190965	31OCT2023	AP	CB



776430-2
SCALE 2:1
KEY B

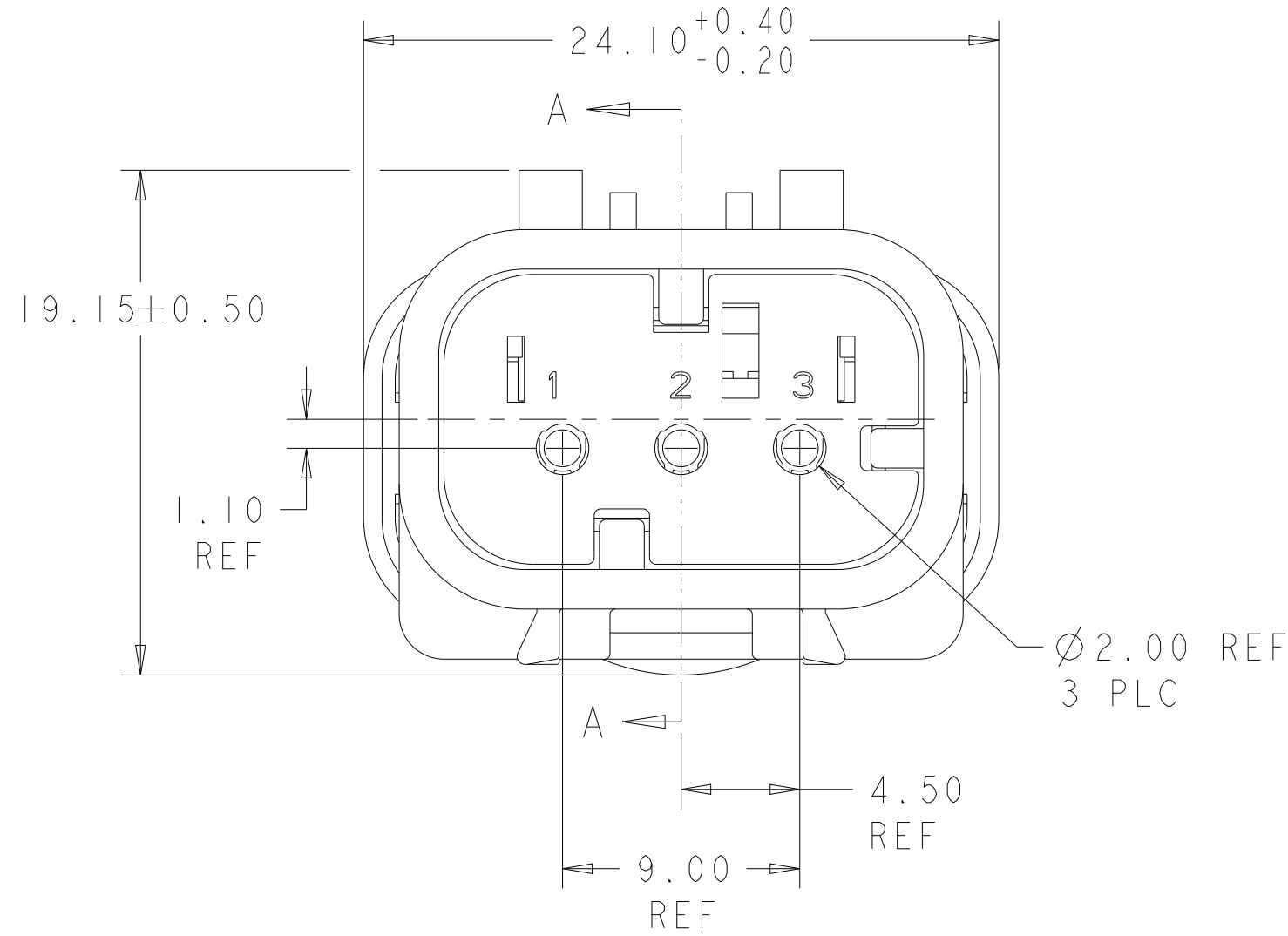


776430-3
SCALE 2:1
KEY C

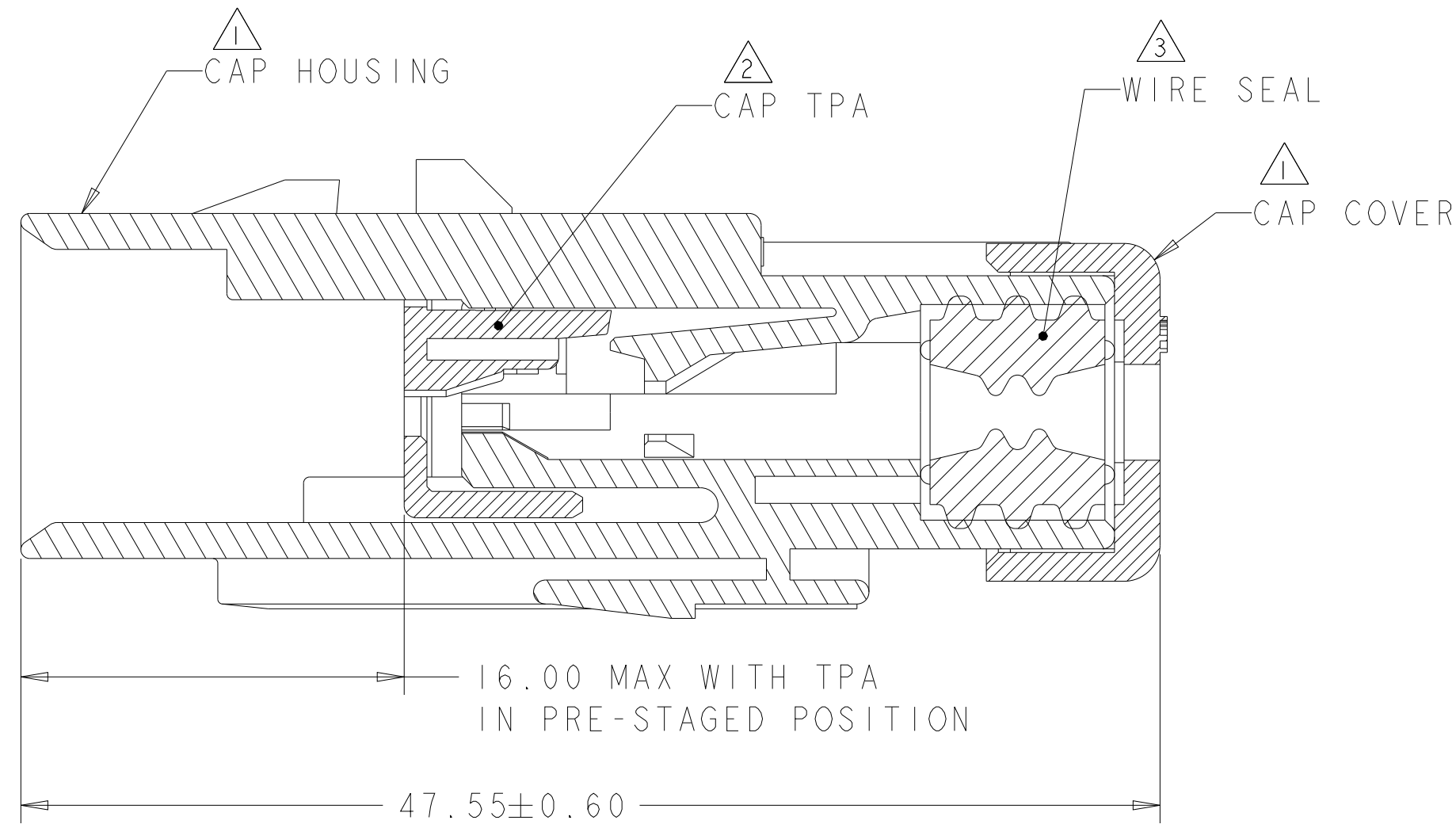


776430-4
SCALE 2:1
KEY D

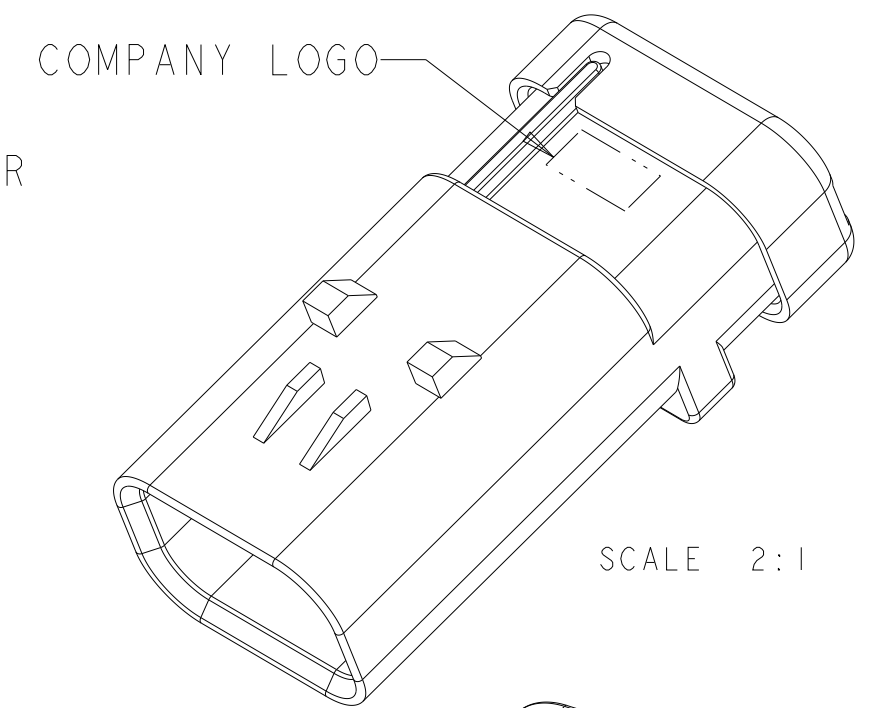
- 1 MATERIAL: 15% GLASS FILLED THERMOPLASTIC
COLOR: BLACK
- 2 MATERIAL: 15% GLASS FILLED THERMOPLASTIC
COLOR: (SEE TABLE)
- 3 MATERIAL: SILICONE
COLOR: GREEN
- 4. RECOMMENDED WIRE DIAMETER RANGE IS 2.18 TO 3.67mm.



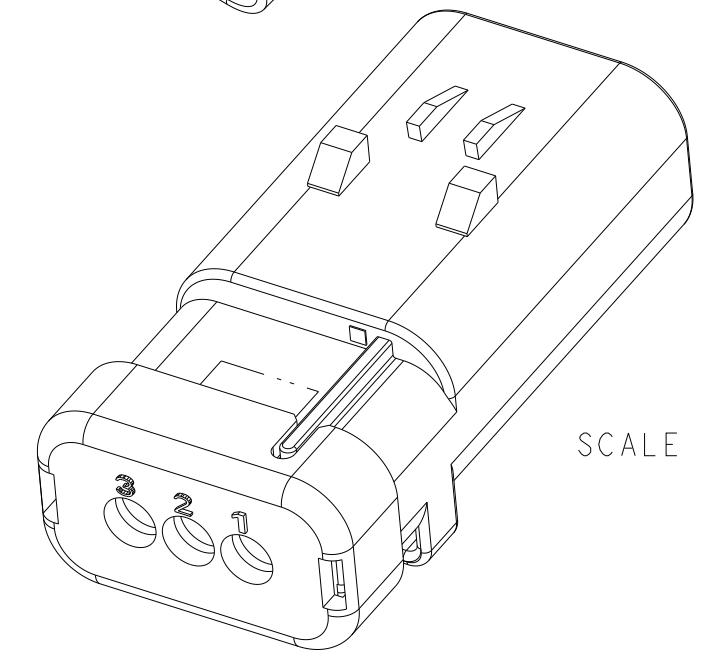
776430-1 SHOWN
KEY A



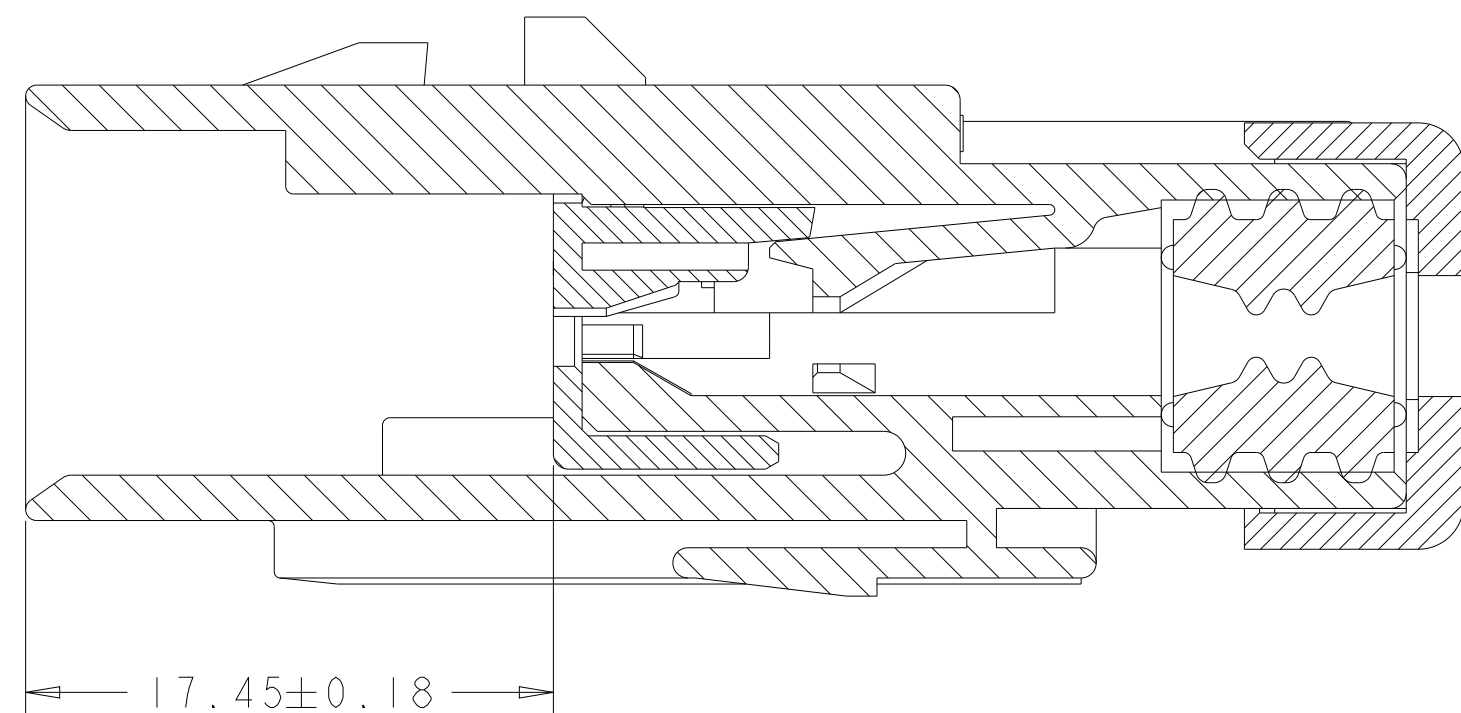
SECTION A-A



SCALE 2:1



SCALE 2:1



SECTION A-A
WITH TPA IN CLOSED POSITION

D	GREEN	776430-4
C	YELLOW	776430-3
B	GRAY	776430-2
A	RED	776430-1
KEY	TPA COLOR	PART NUMBER

THIS DRAWING IS A CONTROLLED DOCUMENT.		DWN Y. PETERSON	22FEB00	TE Connectivity	
DIMENSIONS:		CHK R. GREINER	11DEC01		
TOLERANCES UNLESS OTHERWISE SPECIFIED:		APVD M. TRULL	11DEC01		
mm		PRODUCT SPEC	108-2184		
0 PLC ±		APPLICATION SPEC	114-13065	SIZE	A2
1 PLC ±		WEIGHT	10	CAGE CODE	00779
2 PLC ±		Customer Drawing		DRAWING NO	C-776430
3 PLC ±				RESTRICTED TO	-
4 PLC ±				SCALE	4:1
ANGLES ±				SHEET	1
FINISH -				OF	1
-				REV	EI