

HWA20 SEALED ATO® FUSEHOLDER

Compact Hard-Wired Fuseholder Holds Up To 10 ATO® Fuses



Description

Compact, sealed (IP67) unit with input and output connections electronically isolated. Enables the user to customize the circuitry. High-density of fuses, with total combined amperage up to 210A. Dovetail slots on the sides of the box enable multiple units to be physically connected to each other, and to other Littelfuse fuseholders.

Features and Benefits

- Compact size. Fuseholder is perfect fit for accessory circuits, overflow circuits from main power distribution module, or as a main module on smaller vehicles.
- IP67 sealed units can be installed virtually anywhere on the vehicle, stand up to roadsplash and salt spray.
- Easy to connect. Wires plug into the back of the unit using industry-standard Tyco sealed power terminals.
- TPAs (terminal position assurance locks) give secondary locking protection of the wire leads, which aid in prevention of leads from being pulled out. TPAs snap onto the back of the unit after wires are installed, and do not interfere with the cable seals needed to ensure IP protection.
- Modular. Multiple units can be dovetailed together to expand circuit protection capacity. They can also be interlocked with Littelfuse PDMs and fuseholders such as FLC Power Distribution Module, HWB60, HWB18, MEGA-Flex and MIDI-Flex, for complete circuit protection.
- Versatile fusing capability. Littelfuse ATO blade fuses are readily available in a wide range of values from 1A to 40A.

Specifications Overview

Max Fuse Rating:	40A per circuit
Max Continuous Current:	210A
Number of Cavities	20
Mounting Torque:	4-6 Nm (using M6 Bolt & Lock Washer)
Operating Temp:	-40°C – 85°C
Ingress Protection:	IP66/IP67
Dimensions:	-161 x 40 x 52mm (6.3 x 1.6 x 2.0")

Web Resources

Download technical resources at:
littelfuse.com/HWA20

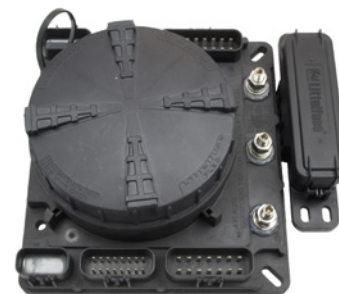
Ordering Information

PART NUMBER	DESCRIPTION
PDM61001ZXM	HWA20 fuseholder complete assembly with TPAs

HWA20 interlocks with HWB units, with FLEC Power Distribution Modules or bolt-down fuseholders



HWA20 interlocked with MEGA-Flex fuseholder (02981028HXFC)



HWA20 interlocked with FLC Power Distribution Module (FLEC 3000Z)

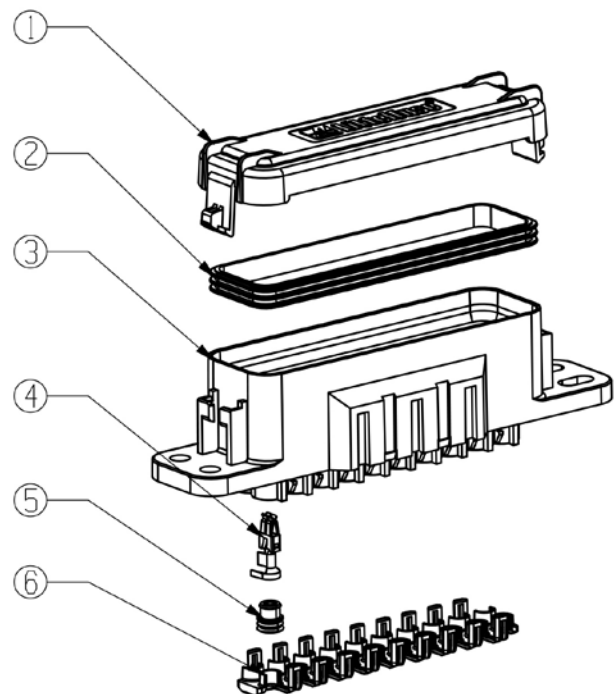
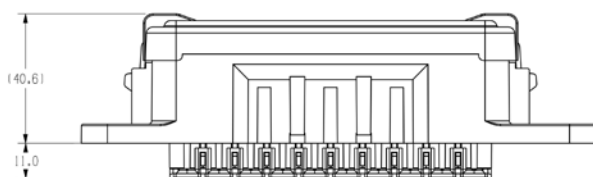
Datasheet Replaces Hotfeed Number D-658

HWA20 SEALED ATO® FUSEHOLDER

Specifications

Max Single Fuse Rating	40A
Max Current Combined	210A
Number of Cavities	20
Mounting Torque	6 - 8Nm
Materials	Body + Cover: Black Thermoplastic - 94 V0 Gasket: Silicone rubber
Mating Terminals & Seals	Tyco standard sealed power terminals. May be purchased through Tyco distributors
Temperature Range	-40°C – 85°C
Ingress Protection	IP67
Dimensions	161 x 40 x 52mm (6.3 x 1.6 x 2.0")
Wire Sizes	0.5 – 5.0mm ²
Weight	0.30lb (0.14kg)

Dimensions in millimeters



Visit Littelfuse.com for the most up-to-date product information. Littelfuse products are designed for specific applications and should not be used for any purpose (including, without limitation, automotive applications) not expressly set forth in applicable Littelfuse product documentation. Warranties granted by Littelfuse shall be deemed void for products used for any purpose not expressly set forth in applicable Littelfuse product documentation. Littelfuse shall not be liable for any claims or damages arising out of products used in applications not expressly intended by Littelfuse as set forth in applicable Littelfuse product documentation.